

COMBI. CAM LOCK M500 - "PRIVATE" - W/MASTER KEY, CODE FINDER & SCRAMBLE FUNCTION

- high quality furniture fittings

SISO DENMARK

Application:

Suitable for drawers, lockers, cabinets, and wardrobes.

Accessories for one set:

- 1 turn knob Ø56 x 26,5 mm
- 1 cylinder Ø19 x 20 or Ø19 x 30 mm
- 1 straight cam plate C/E: 35 mm
- 1 hex nut

Specifications:

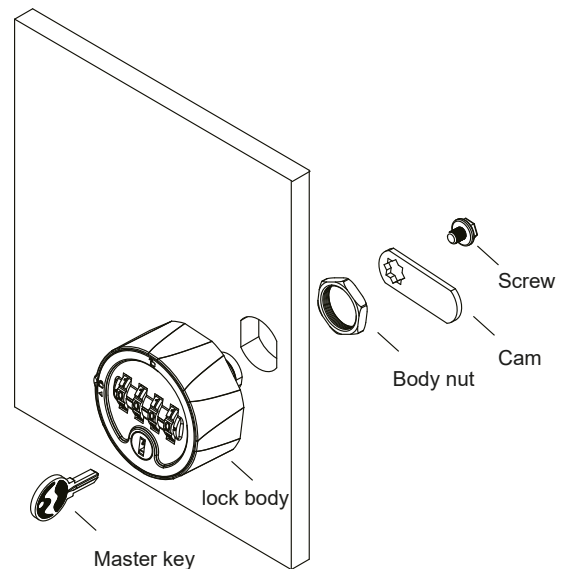
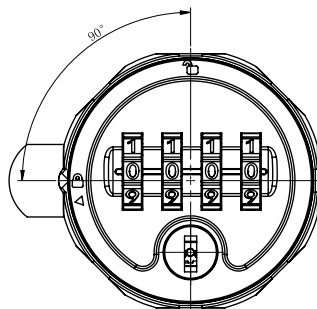
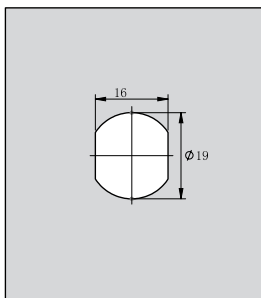
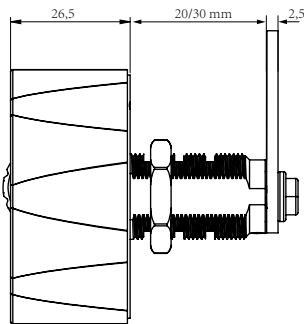
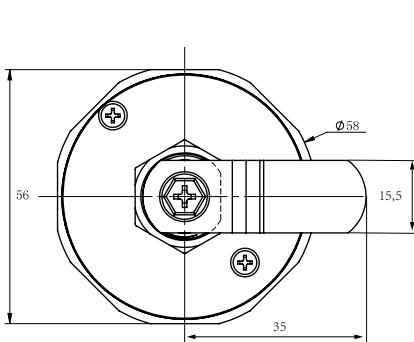
Turn knob made of zamak – black or white
 Cylinder made of zamak
 Cam, hex nut & washer made of steel, NPL
 4 digits from 0 – 9
 90 degree turn. Right hand
 Pre-coded 1-1-1-1
 Re-coding by turning lock body 10 DG counter-clockwise
 W/master key system code #08 & code finder
 Code finder by use of master key
 Door thickness:
 0,6 – 12 mm (20mm cylinder)
 0,6 – 22 mm (30mm cylinder)

Item No.:

Size: Ø19 x 20 mm, Black: # 14.08.280
 Size: Ø19 x 20 mm, White: # 14.08.281

Size: Ø19 x 30 mm, Black: # 14.08.286
 Size: Ø19 x 30 mm, White: # 14.08.287

Master key #08 # 14.08.285



SISO A/S

Mileparken 11 Phone: (+45) 45 830 900
 DK - 2740 Skovlunde (Copenhagen) Fax: (+45) 45 830 444
 Denmark E-mail: siso@siso.dk Web: www.siso.dk